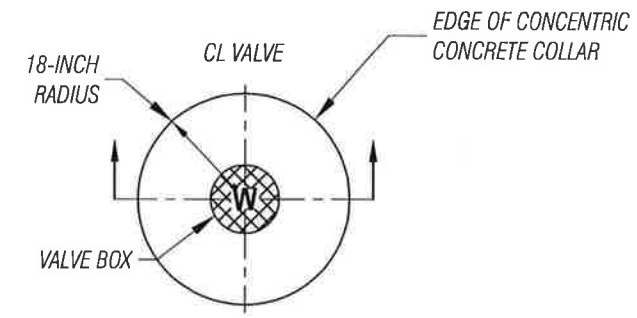
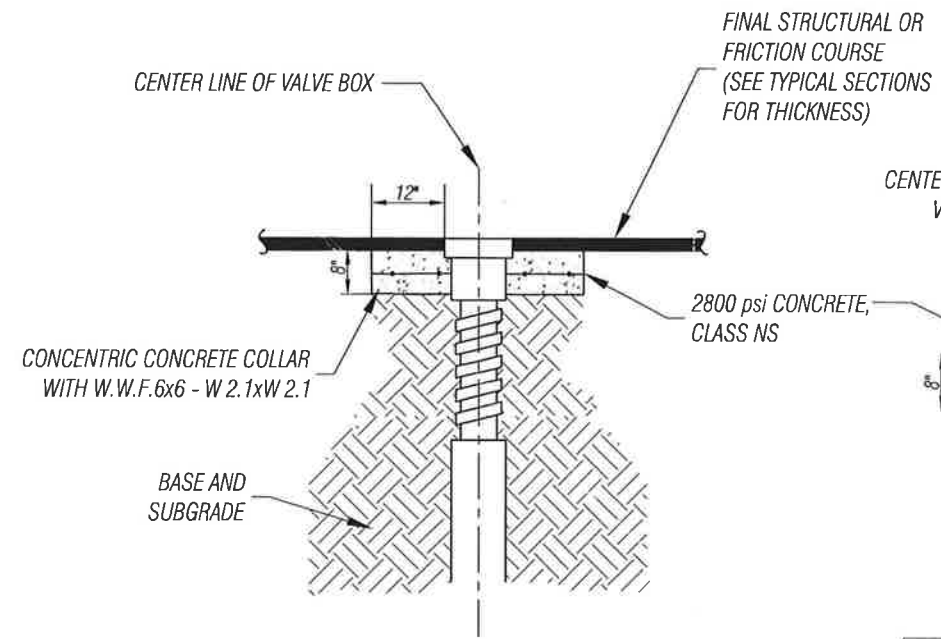
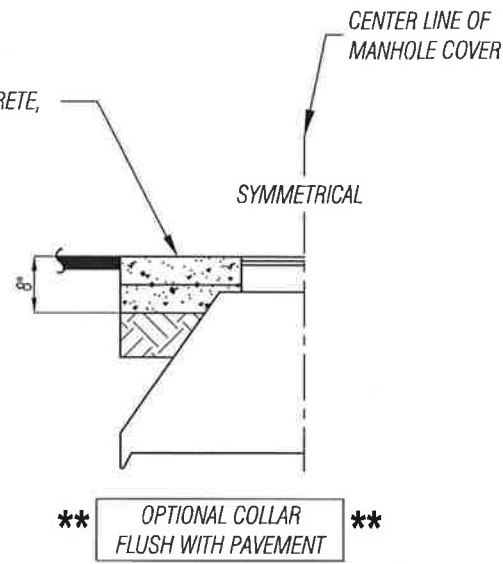


SEWER MANHOLE ADJUSTMENT



WATER/SEWER VALVE BOX ADJUSTMENT

NOTES:

1. An optional treatment of placing the Class NS concrete collar flush to finished pavement grade is shown above for both sewer manholes and water valves. If this optional treatment is desired, it shall be mutually agreed between the Contractor and the Engineer.
2. During milling and resurfacing operations, it is the Contractor's responsibility to locate, expose, and allow immediate access by Utility Agency Owner (UAO) personnel to any valves or manholes for the purpose of emergency utility operations or maintenance. The Contractor must assign a representative that will be available 24 hours-a-day, seven-days-a-week to coordinate emergency location and exposure of valves and manholes, as requested by the UAO.
3. Manhole adjustment grade rings shall be a minimum of 3 inches thick and shall not exceed 18 inches in height.

FOR PAVEMENT REHABILITATION/RESURFACING PROJECTS

(DRAWING IS NOT TO SCALE)

For Informational Purposes Only

REVISIONS					
DATE	BY	DESCRIPTION	DATE	BY	DESCRIPTION
2/23/11	SGA	ADDED OPTIONAL CONCRETE FLUSH SECTION AND NOTES			

City of Tallahassee
 Water Resources Engineering
 300 South Adams Street B-26
 Tallahassee, FL 32301
 Ph. (850) 891-6155

STATE OF FLORIDA DEPARTMENT OF TRANSPORTATION		
ROAD NO.	COUNTY	FINANCIAL PROJECT ID
	LEON	

WATER VALVE BOX & SEWER MANHOLE ADJUSTMENT
SHEET NO. UTV-1